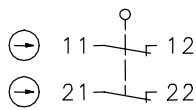


Plastic bodied limit switch Series T12

Description **T12-SA2Z RIW**

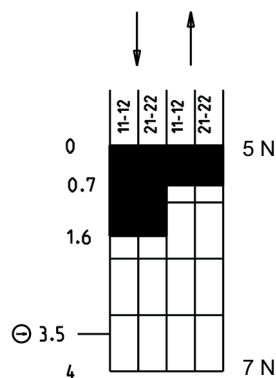
Article number **6088867010**

Operating symbol

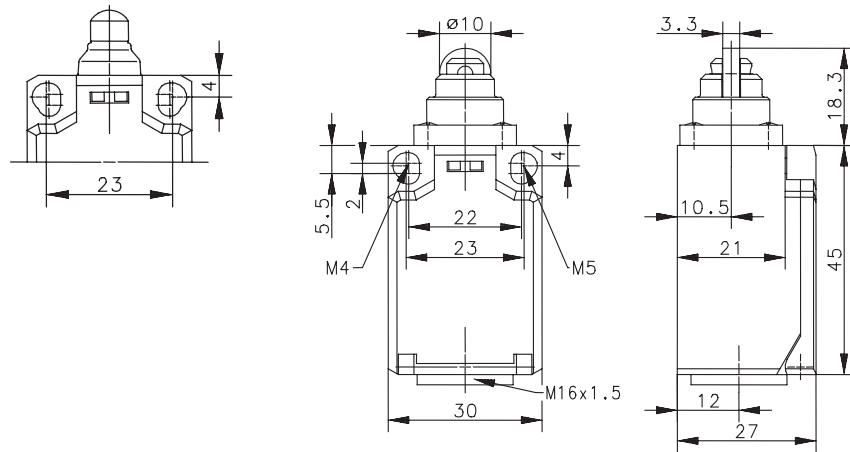


Fixed positioning with
e.g. fixing screw M5
according to the standard
DIN EN ISO 4762.

Operating diagram



On
 Off
 Tolerance:
 Operating point $\pm 0,25$ mm;
 Actuating force ± 10 %



Electrical Data

| | | |
|---------------------------------|-----------|--|
| Rated insulation voltage | U_i | 250 V AC |
| Conv. thermal current | I_{the} | 10 A AC; 2,5 A DC |
| Rated operational voltage | U_e | 240 V AC; 250 V DC |
| Utilization category | | AC-15, U_e/I_e 240 V / 3 A ; DC-13, U_e/I_e 250 V / 0,27 A |
| Direct opening action | \ominus | acc. to IEC/EN 60947-5-1, Annex K |
| Short-circuit protective device | | Fuse 6 A gG |
| Protection class | | II, totally insulated |

| Mechanical data | |
|--------------------------|---|
| Enclosure | Thermoplastic, glass fibre reinforced (UL 94-V0) |
| Cover | Thermoplastic, glass fibre reinforced (UL 94-V0) |
| Actuator | Roller (thermoplastic) |
| Ambient air temperature | -30 °C ... +80 °C |
| Contact type | 2 NC (Zb) |
| Mechanical life | 3 x 10 ⁶ operating cycles |
| Switching frequency | ≤ 100 / min. |
| Assembly | 2 x M4 or 2 x M5 fixed position for safety applications |
| Connection | 4 screw connections (M3,5) |
| Conductor cross-sections | Solid: 0,5 ... 1,5 mm ² or Litz wire with ferrules: 0,5 ... 1,5 mm ² |
| Cable entrance | 1 x M16 x 1,5 |
| Weight | ≈ 0,04 kg |
| Installation position | operator definable |
| Protection type | IP65 acc. to EN 60529; DIN VDE 0470 T1 |

| ID for safety engineering | |
|---------------------------|----------------------------|
| B10d | 6 x 10 ⁶ cycles |

| Actuation | |
|--|--|
| The actuating device is preferably started from 2 sides. | |

| Standards | |
|-----------|--|
| | VDE 0660 T100, DIN EN 60947-1, IEC 60947-1 |
| | VDE 0660 T200, DIN EN 60947-5-1, IEC 60947-5-1 |
| | DIN EN ISO 13849-1 |

| EU Conformity | |
|---------------|------------------------------|
| | acc. to directive 2014/35/EU |

| Approvals | |
|-----------|---|
| | _c UL _{US} A300, Q300 |
| | _c CSA _{US} A300, Q300 (same polarity) |
| | CCC |

| Notes | |
|--|--|
| The degree of protection (IP code) specified applies solely to a property closed cover and the use of an equivalent cable gland with adequate cable. | |